

**THIS TECHNICAL DOCUMENT BROUGHT
TO YOU AT NO COST FROM:**

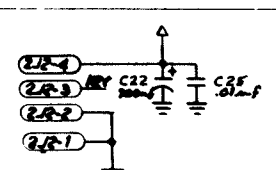
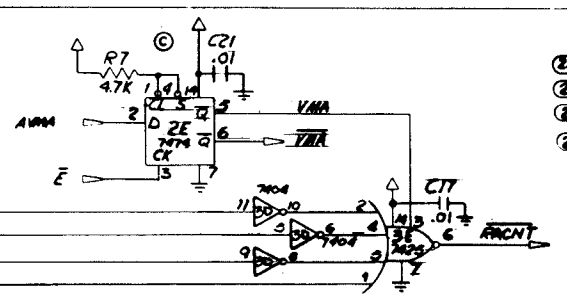
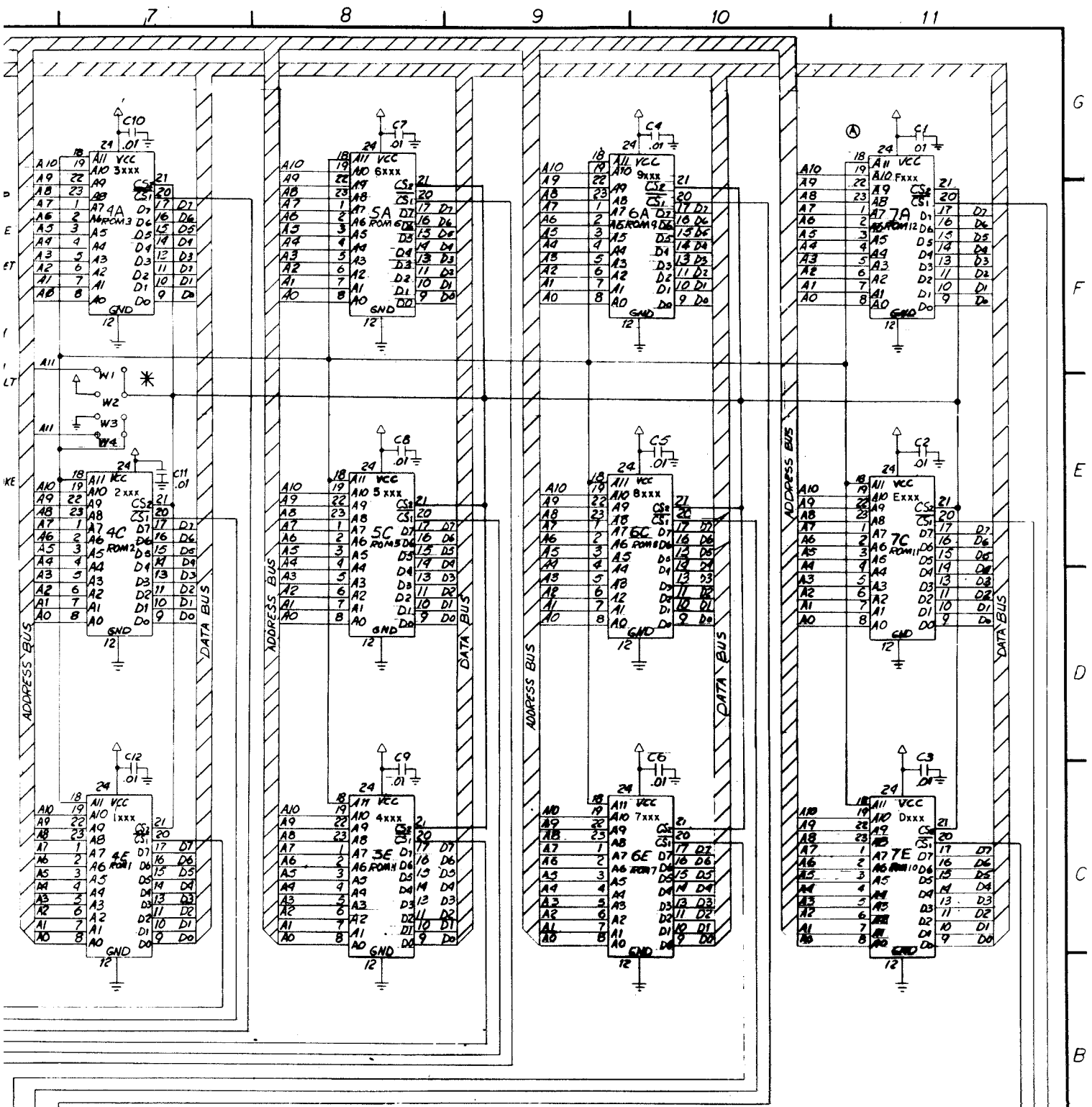
ARCADEDOCS.COM

**THE INTERNET'S LARGEST REFERENCE LIBRARY
SUPPORTING THE COIN-OPERATED
COLLECTOR AND OPERATOR COMMUNITIES**

Dedicated With Special Thanks To:

The Many Amusement Machine Manufacturers,
Collectors, Dealers, Designers, Distributors,
Engineers, Operators, and Players
That Have Generously Continued To Support Us
Throughout The Years

**MANUALS — SCHEMATICS — TECHNICAL BULLETINS
DIP SWITCH SETTINGS — PIN-OUTS — TRAINING**



* W1, W3 - FOR 2732
W2, W4 - FOR 2532

TOLERANCES		QTY.	ASSEMBLY USE
UNLESS OTHERWISE SPECIFIED			
RESISTORS	1% (unless noted)		
CAPACITORS	5% (unless noted)		
IC'S	3% (unless noted)		
WELDED	100%		
DRILLING	100%		
ETCHING	100%		
PLATING	100%		
FINISH	100%		
DATE	16-8808		

ROM Board Logic Diagram